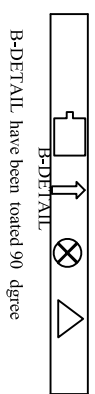
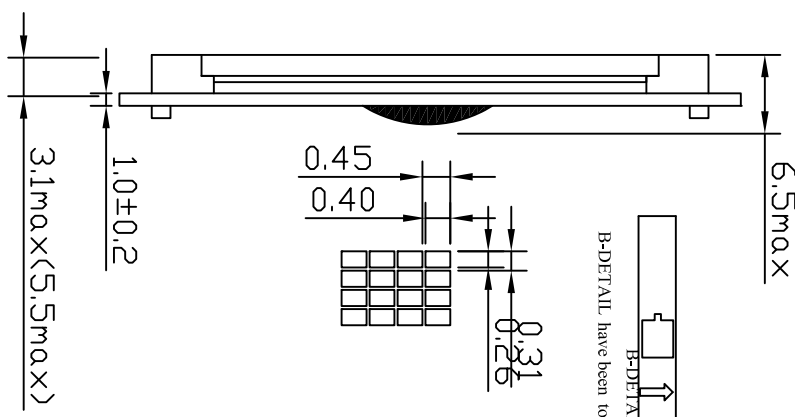
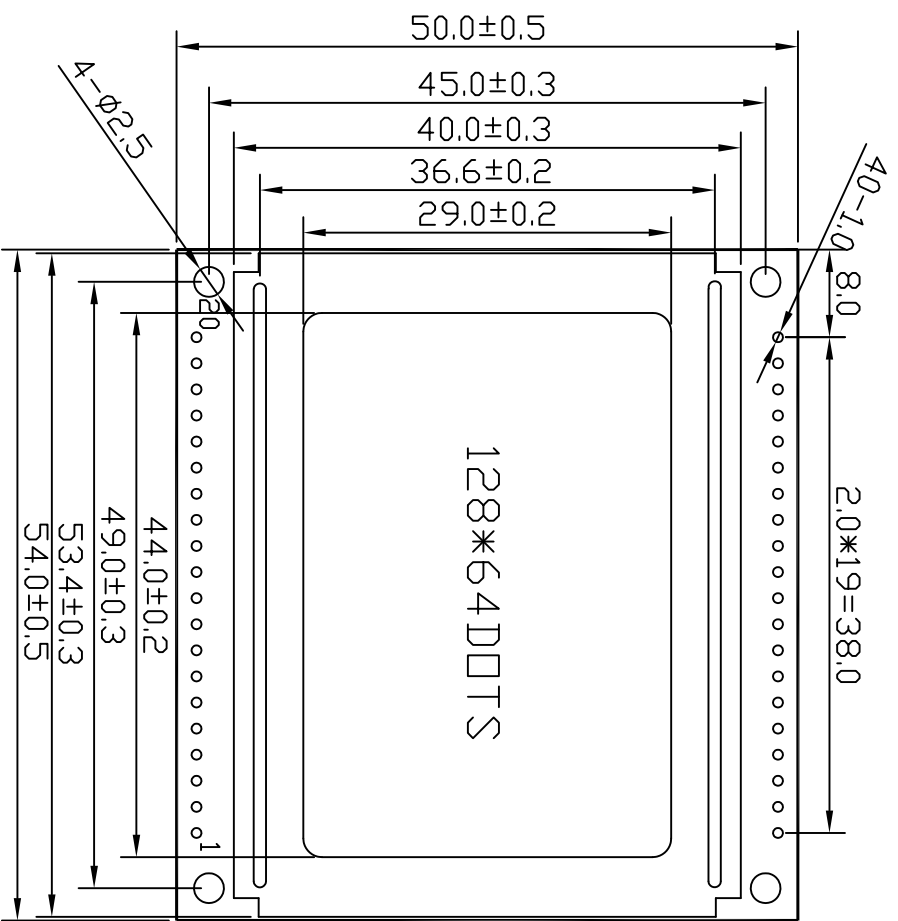


REV	DATE	DESCRIPTION	DESIGNED	CHECK	APPROVED



1	2	3	4	5	6	7	8	9	10	11	12	13	14	15	16	17	18	19	20
VSS	VDD	VO	CS	SID	CLK	DB0	DB1	DB2	DB3	DB4	DB5	DB6	DB7	PSB	NC	RET	VOU↑	BLA	BLK

NOTE:

- 1.MODE: STN-TANSMISSIVE-POSITIVE
- 2.DUTY:1/65,BIAS:1/9
- 3.OP.TEMP.: -20°C~70°C
- 4.ST.TEMP.: -30°C~80°C
- 5.VIEWING: 6:00
- 6.VDD=3.3V
- 7.BACK LIGHT: WHITE LED,EDGE TYPE,VLED=3.3V